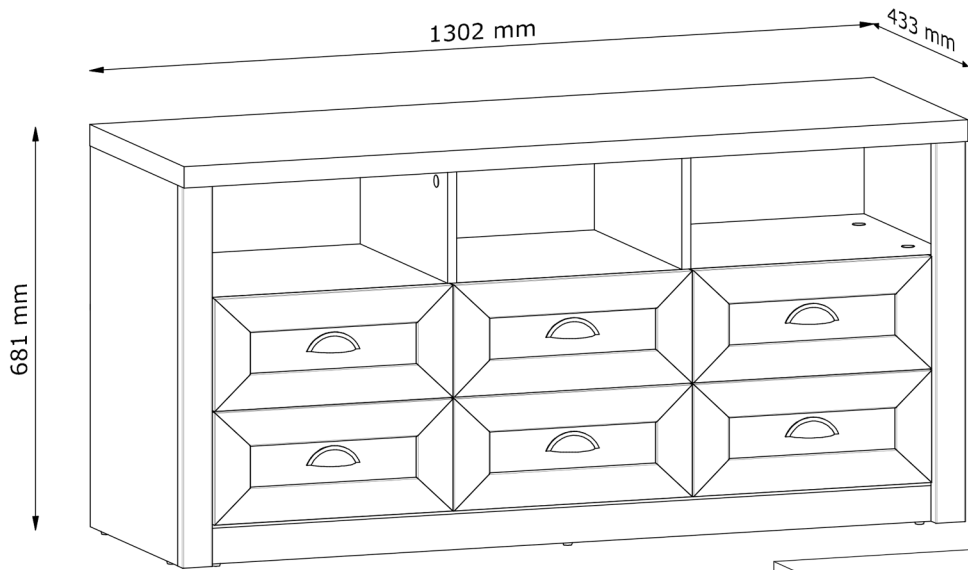
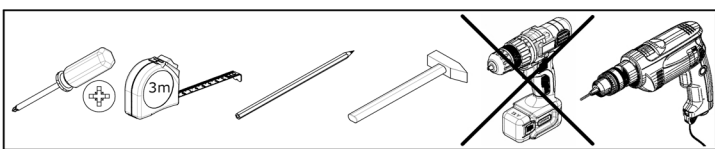
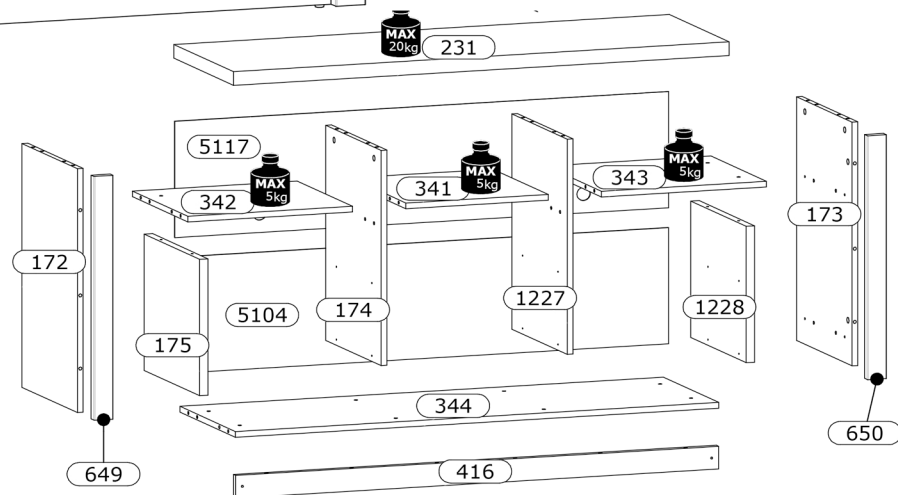


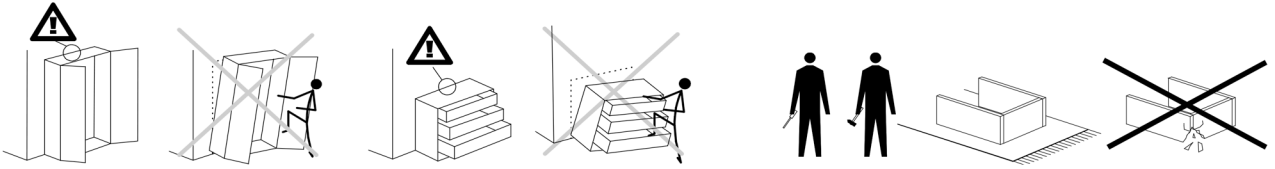
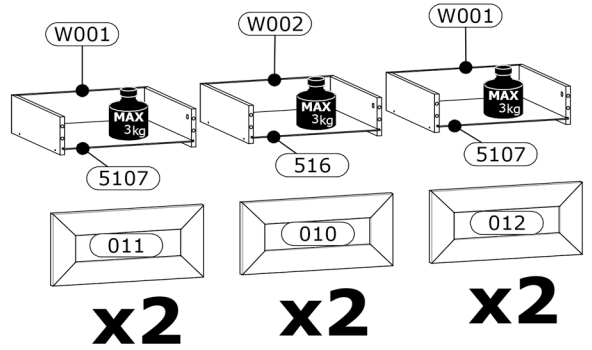
# K6S SA



No	L[mm]	W[mm]	H[mm]	PCS	BOX
W001	1057	100	12	4	1/3
W002	1049	100	12	2	1/3
010	396	189	18	2	2/3
011	396	189	18	2	2/3
012	396	189	18	2	2/3
1227	565	400	15	1	1/3
1228	358	400	22	1	1/3
172	640	400	15	1	2/3
173	640	400	15	1	2/3
174	565	400	15	1	1/3
175	400	358	22	1	1/3
231	1302	430	36	1	1/3
341	400	374	15	1	1/3
342	433	400	15	1	1/3
343	433	400	15	1	1/3
344	1270	400	15	1	1/3
416	1269	60	15	1	1/3
5104	1297	305	2,5	1	1/3
5107	351	342	2,5	4	1/3
5117	1297	305	2,5	1	1/3
516	351	336	2,5	2	1/3
649	640	50	22	1	2/3
650	640	50	22	1	2/3

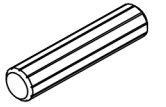


<b>A1</b> x36 Ø8x35mm	<b>A2</b> x4 Ø8x60mm	<b>B1</b> x32 Ø5x38mm	<b>B2</b> x4 Ø7x70mm	<b>C1</b> x28 Ø15x12mm
<b>C2</b> x12 Ø12x10mm	<b>G1</b> x28 26mm	<b>H</b> x1 1297 mm	<b>J1</b> x26 Ø21mm	<b>K1</b> x12 Ø6,4x50mm
<b>N2</b> x1 4mm HEX	<b>P2</b> x12 350mm	<b>T4</b> x2 75x28x16 mm	<b>U3</b> x6 92x33mm	<b>W1</b> x36 Ø3,5x13mm
<b>W2</b> x28 Ø3,5x16mm	<b>W5</b> x2 Ø4x30mm	<b>X2</b> x12 M4x16mm	<b>Y1</b> x12 Ø8x1,5mm	<b>Y5</b> x7 Ø15x20mm



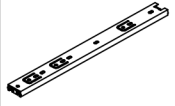
# 1

A1 x 12



Ø8x35mm

P2 x 12

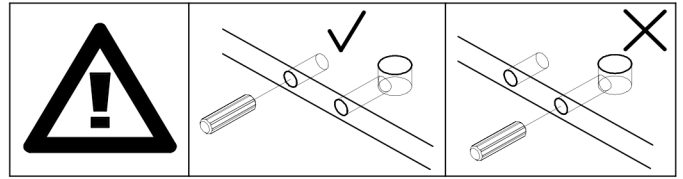
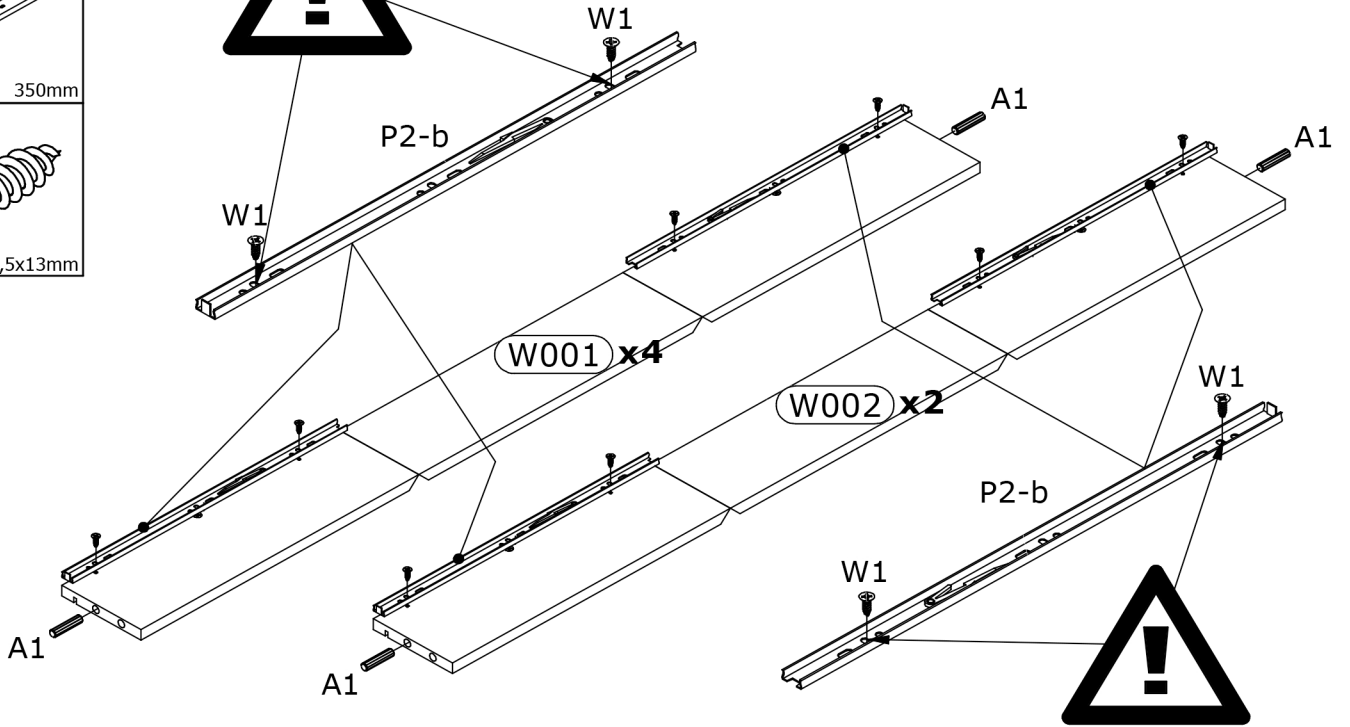
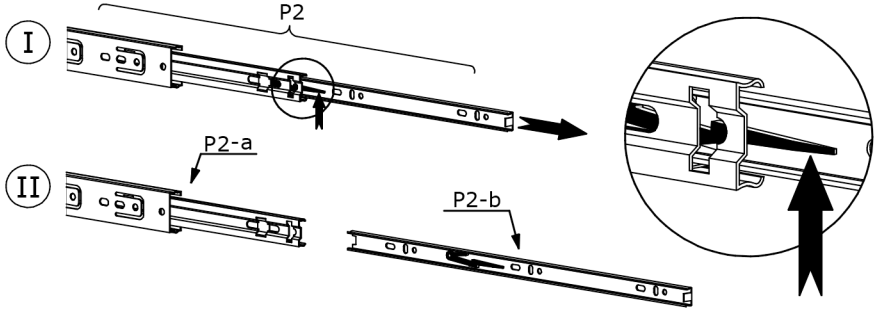
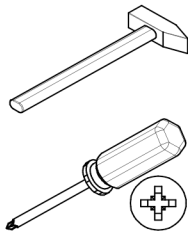


350mm

W1 x 24

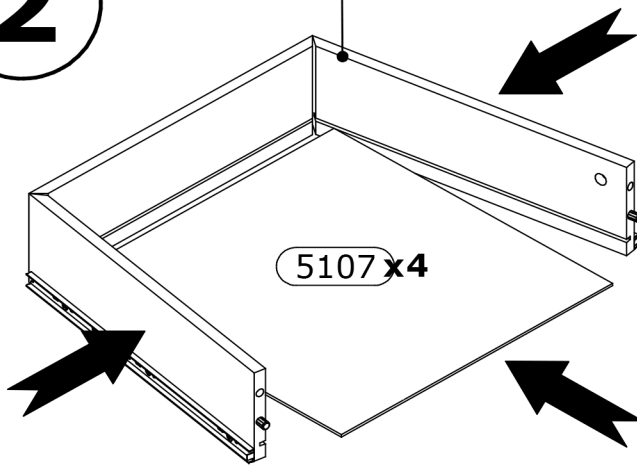


Ø3,5x13mm



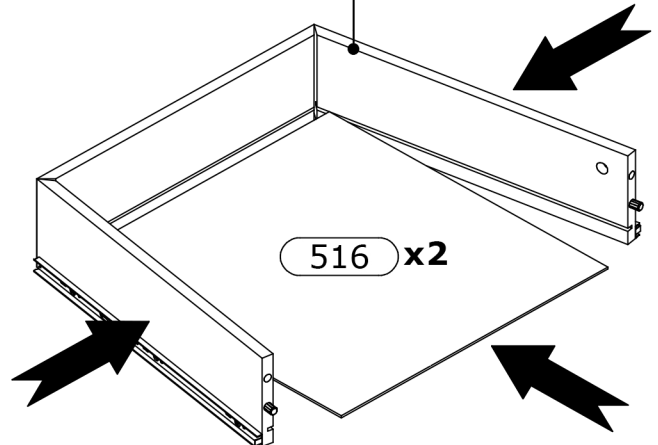
# 2

W001 x 4



5107 x 4

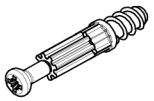
W002 x 2



516 x 2

**3**

**B1 x12**

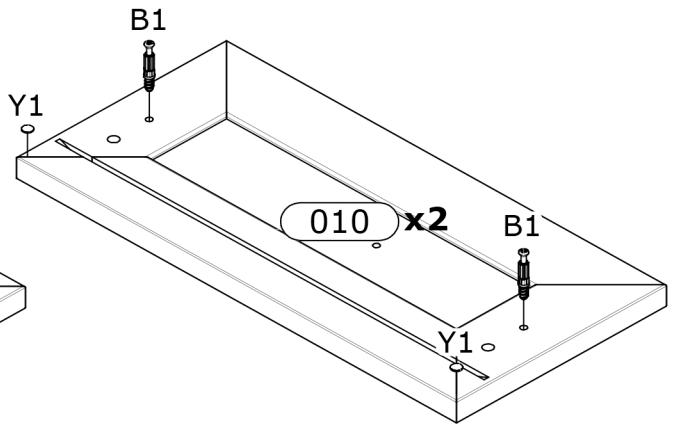
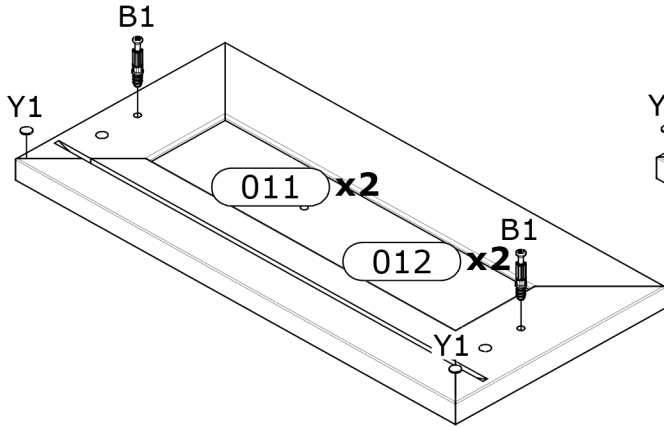
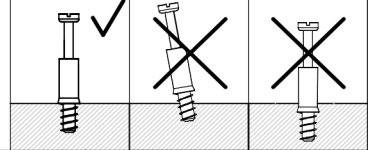
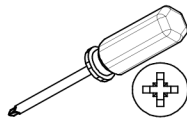


Ø5x38mm

**Y1 x12**

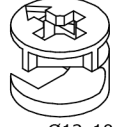


Ø8x1,5mm

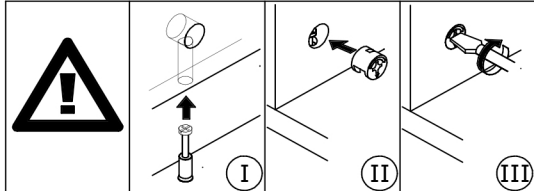
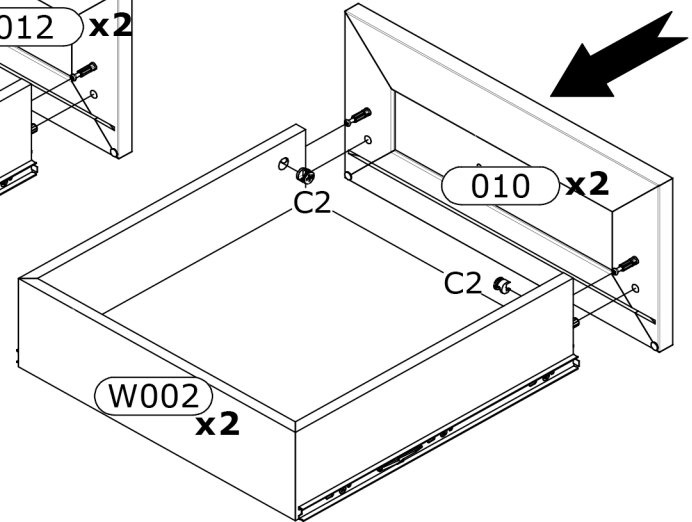
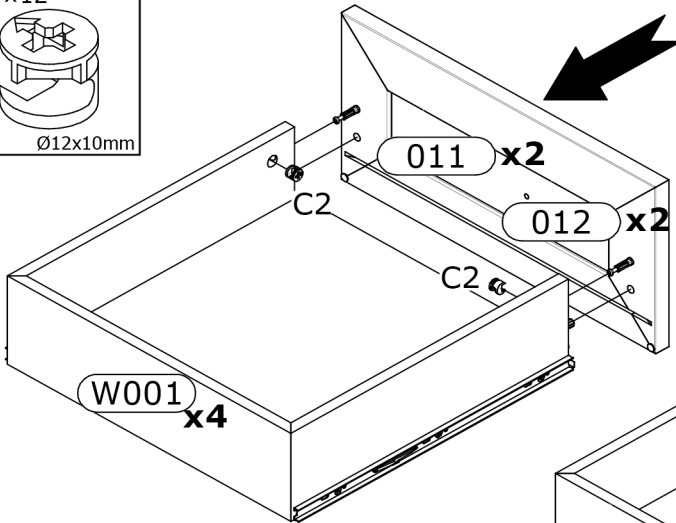
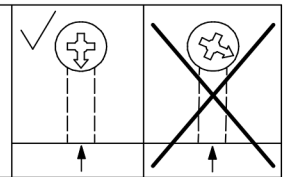
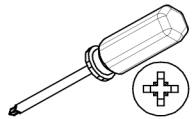


**4**

**C2 x12**



Ø12x10mm



**5**

**J1 x12**



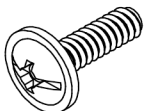
Ø21mm

**U3 x6**

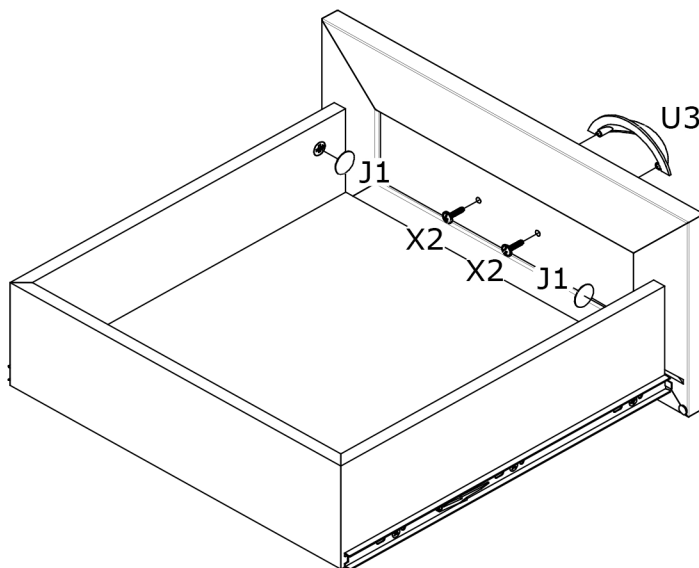
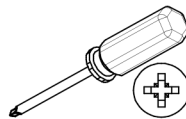


92x33mm

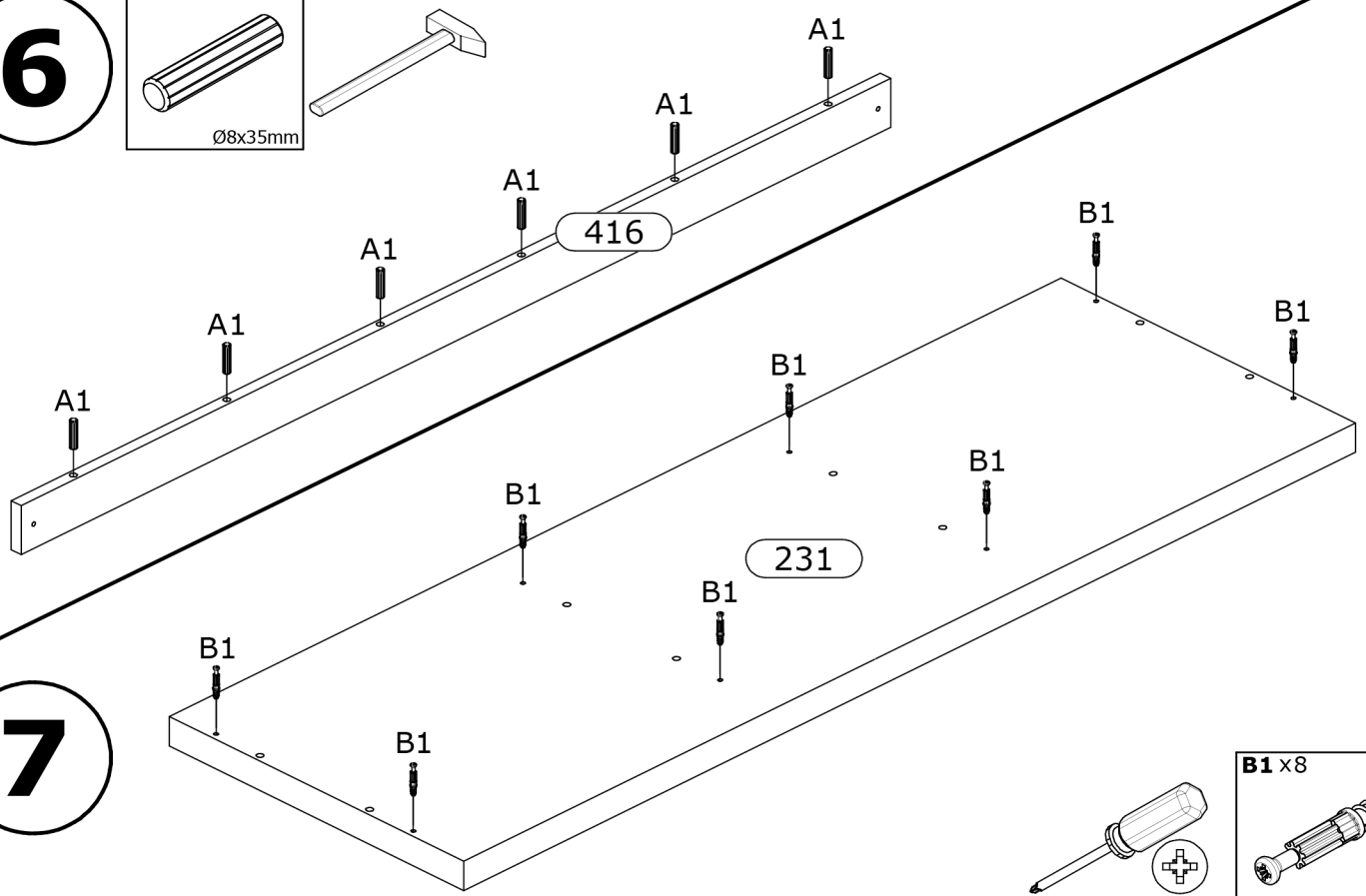
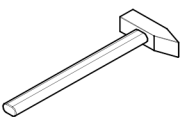
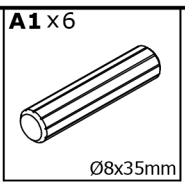
**X2 x12**



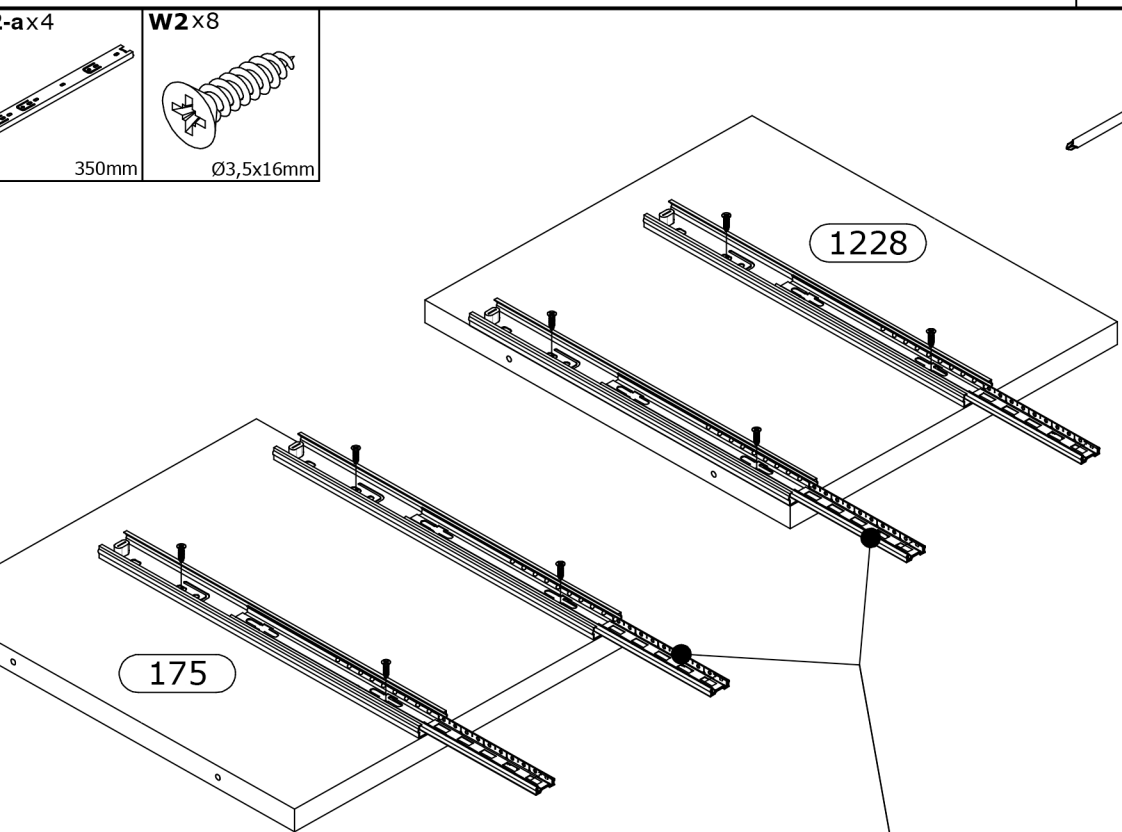
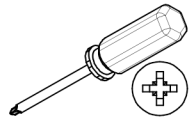
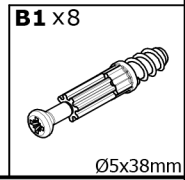
M4x16mm



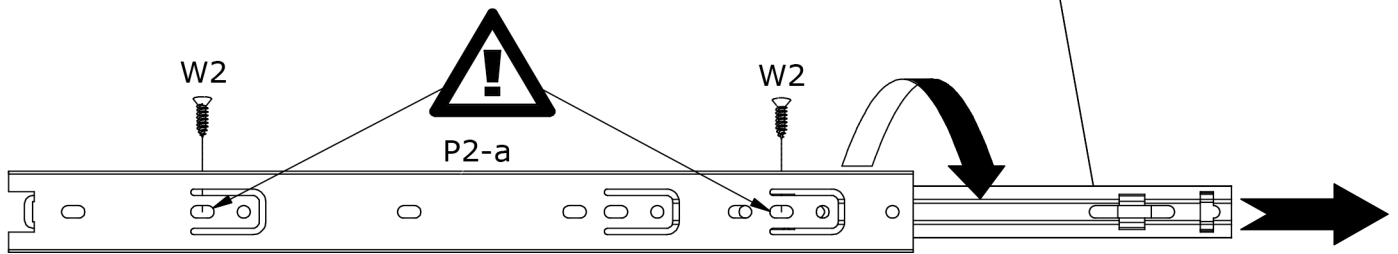
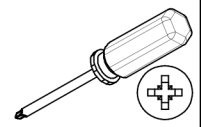
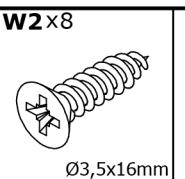
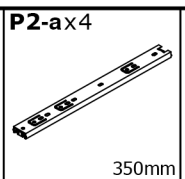
6



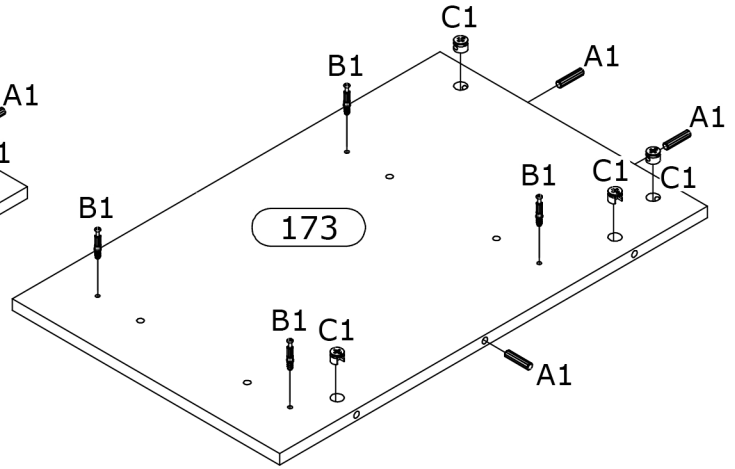
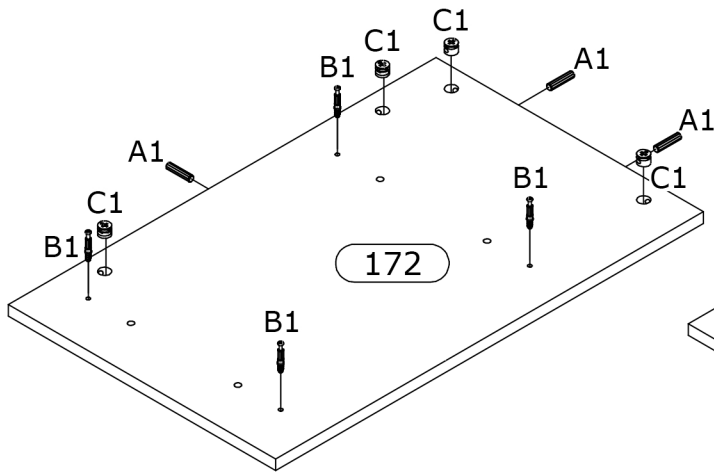
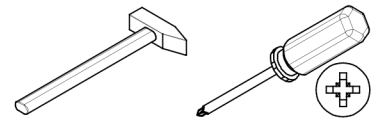
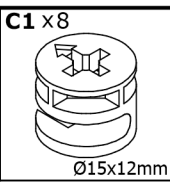
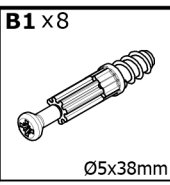
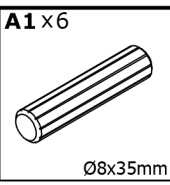
7



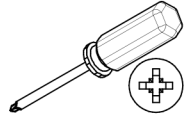
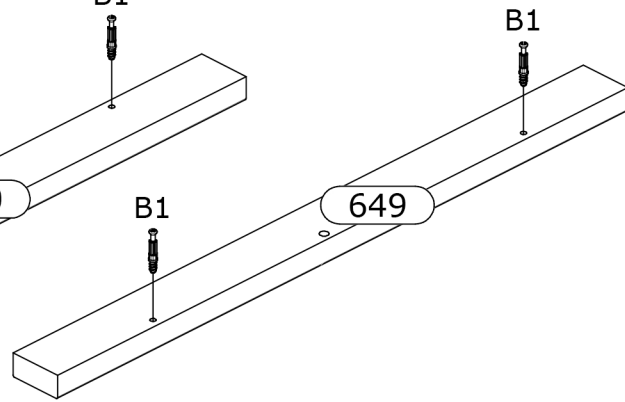
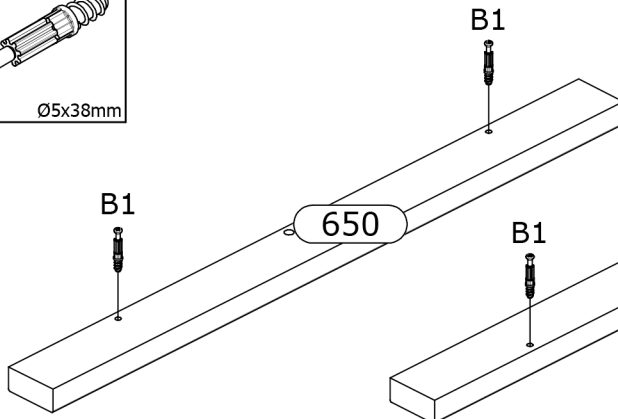
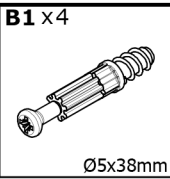
8



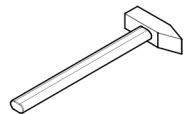
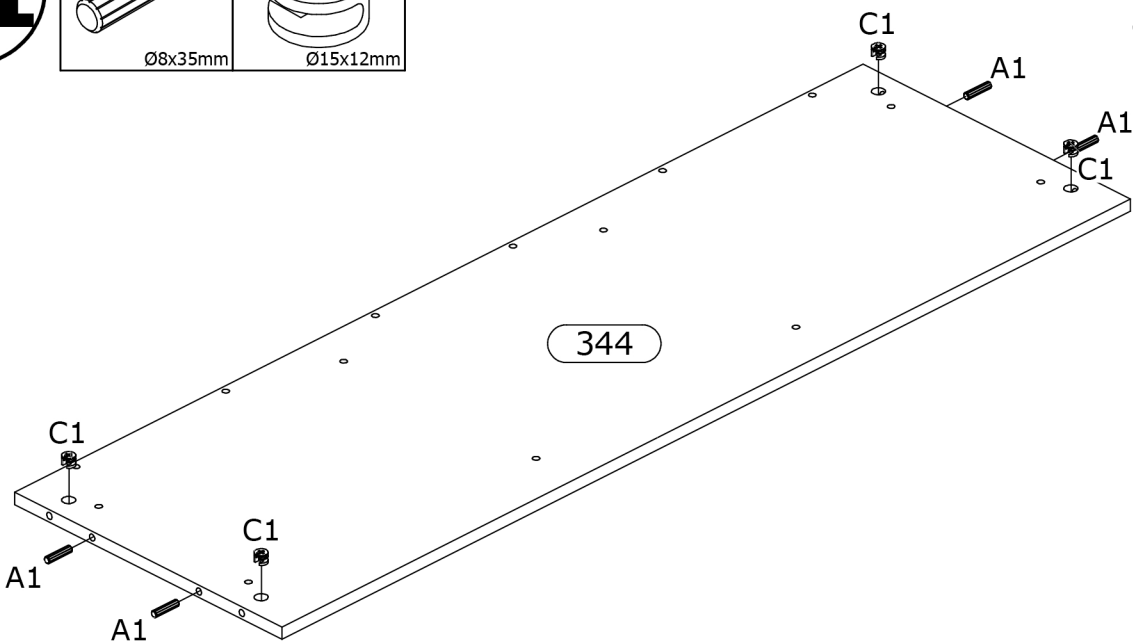
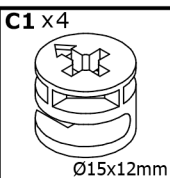
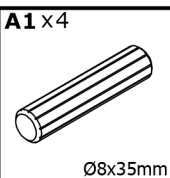
9



10

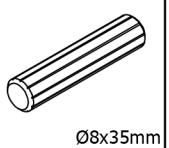


11

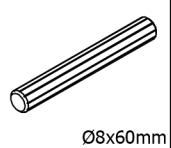


# 12

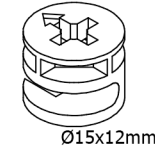
- A1 x4
- A2 x4
- C1 x12



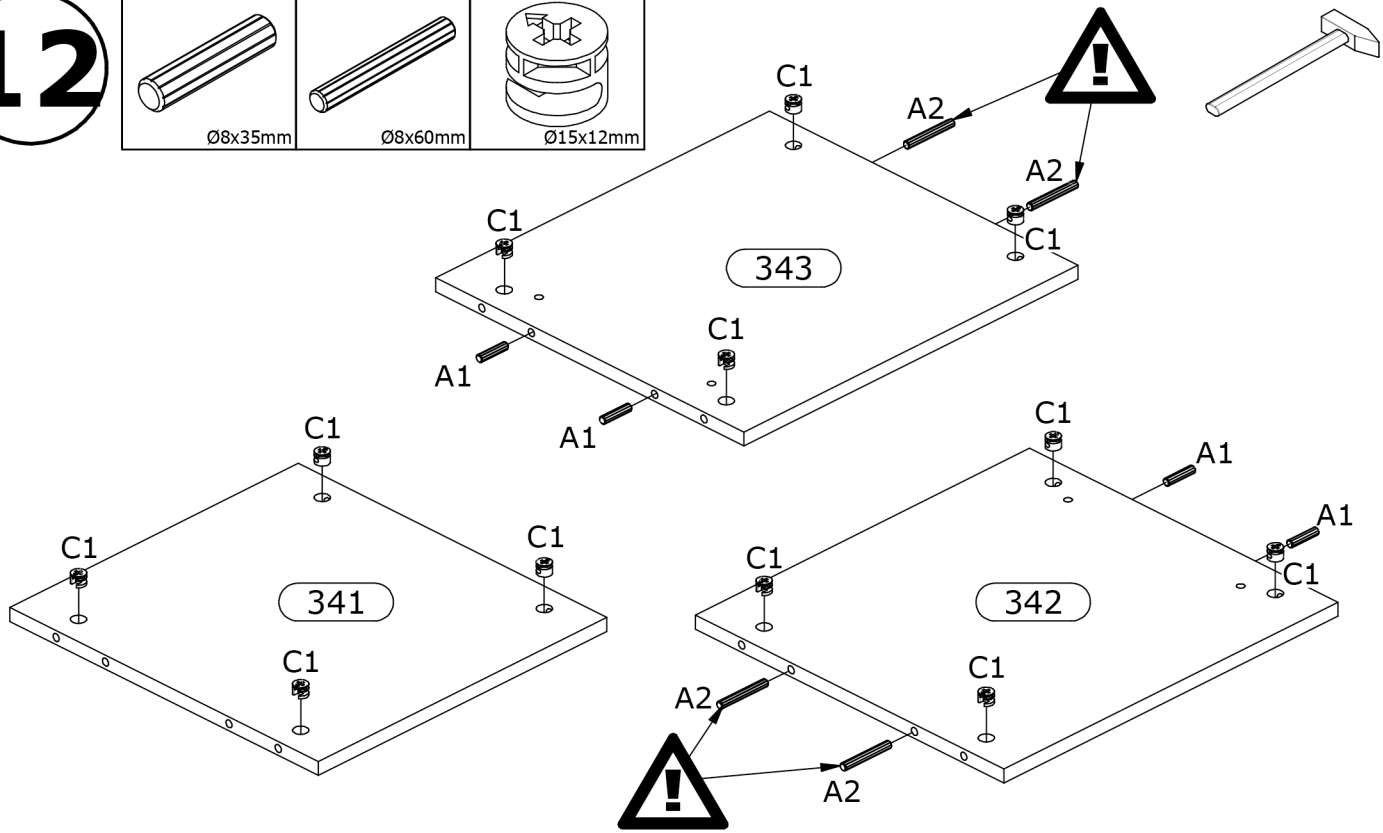
Ø8x35mm



Ø8x60mm

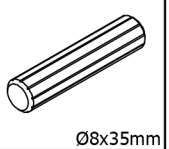


Ø15x12mm

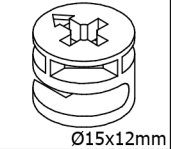


# 13

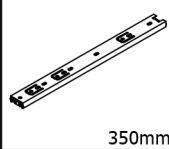
- A1 x2
- C1 x2
- P2-a x4
- W2 x8



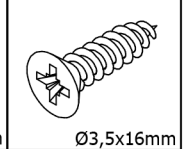
Ø8x35mm



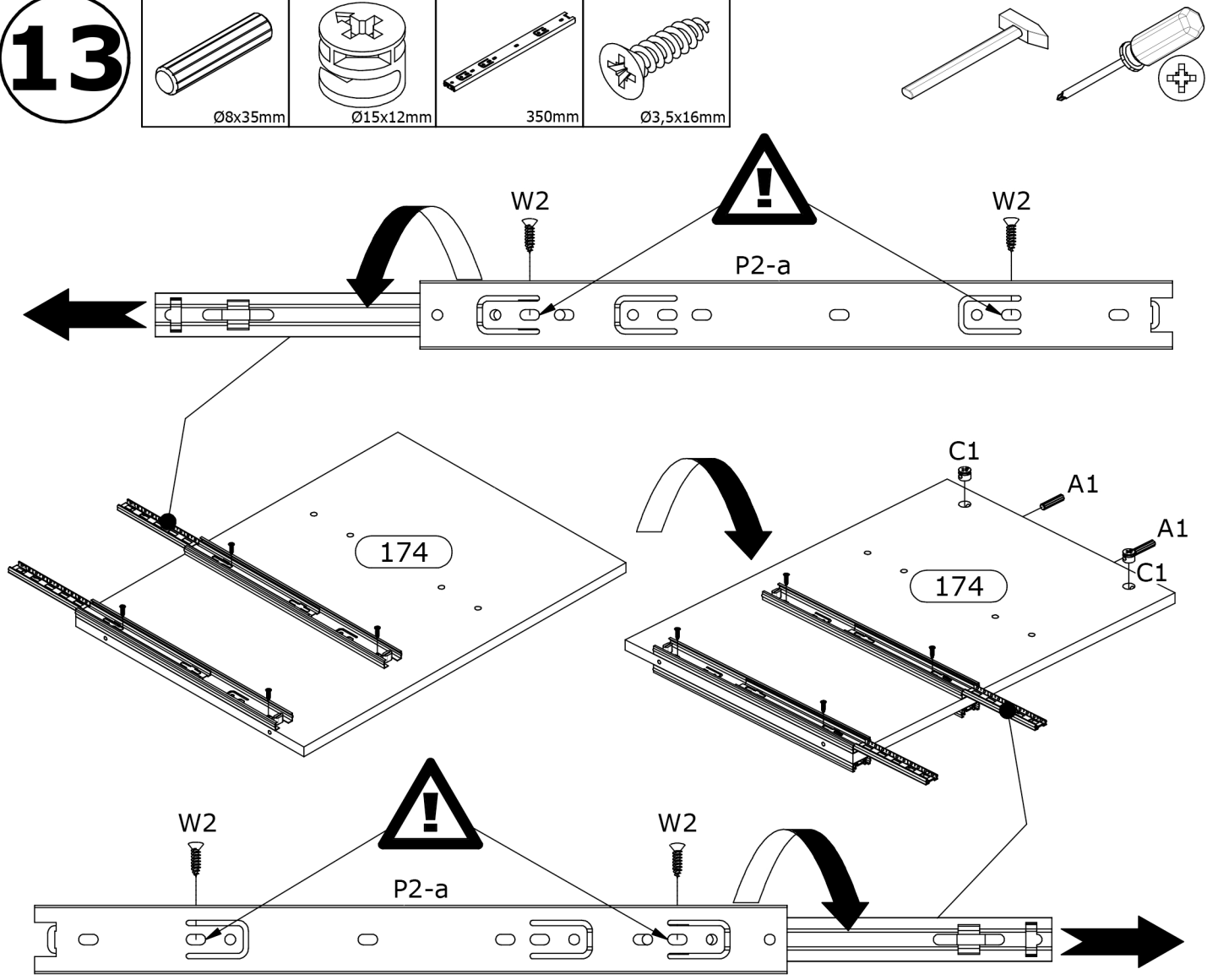
Ø15x12mm



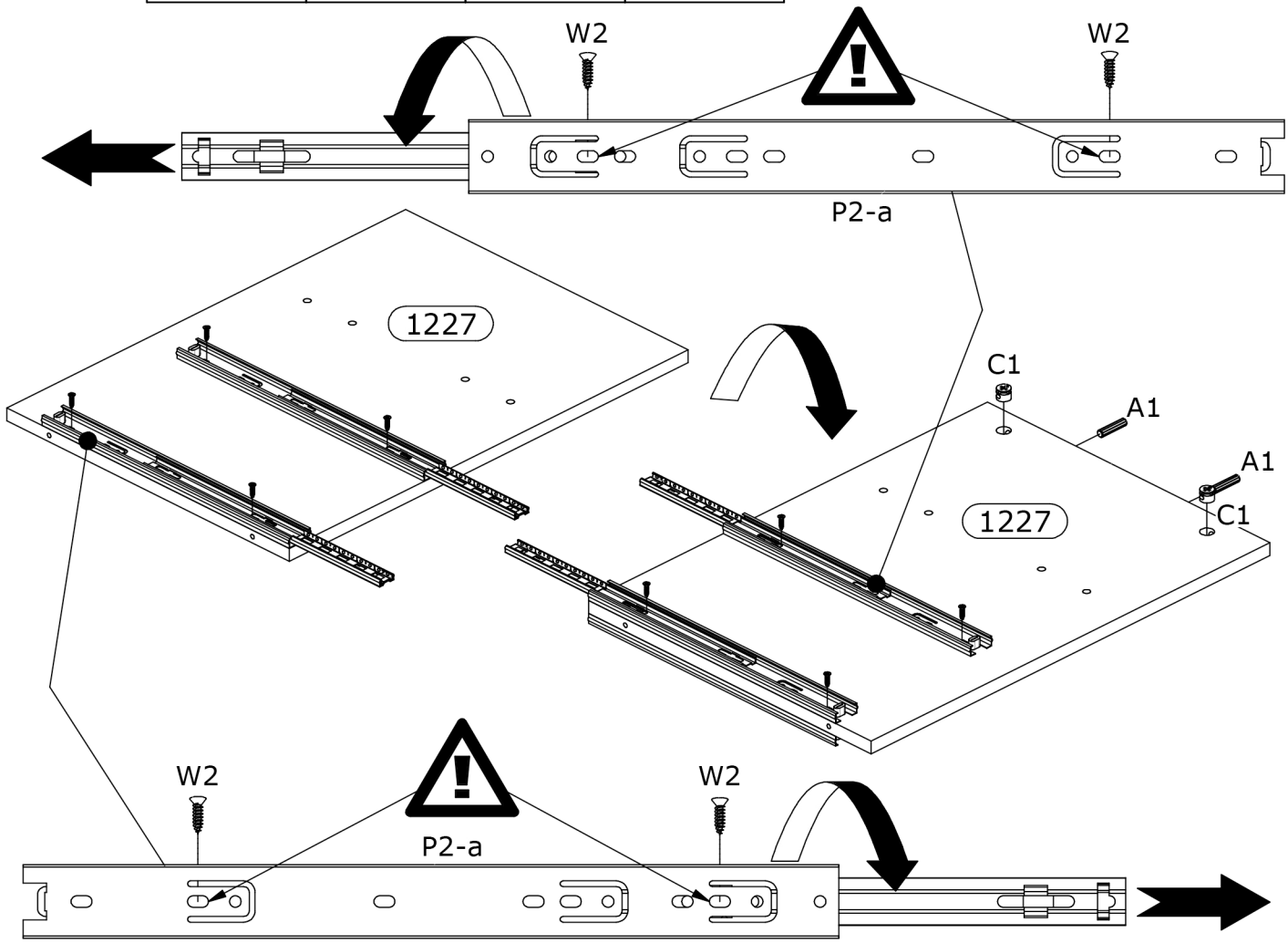
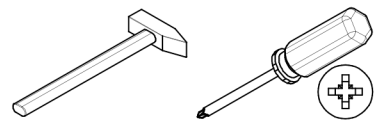
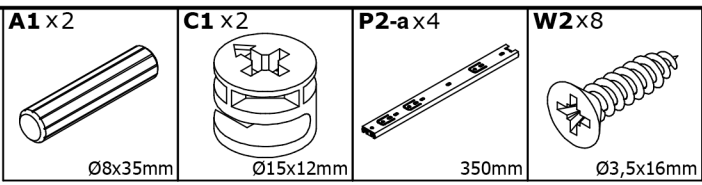
350mm



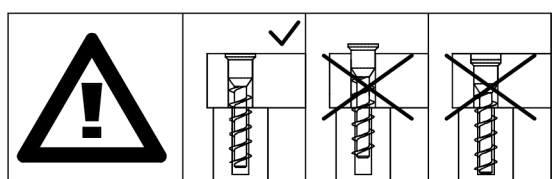
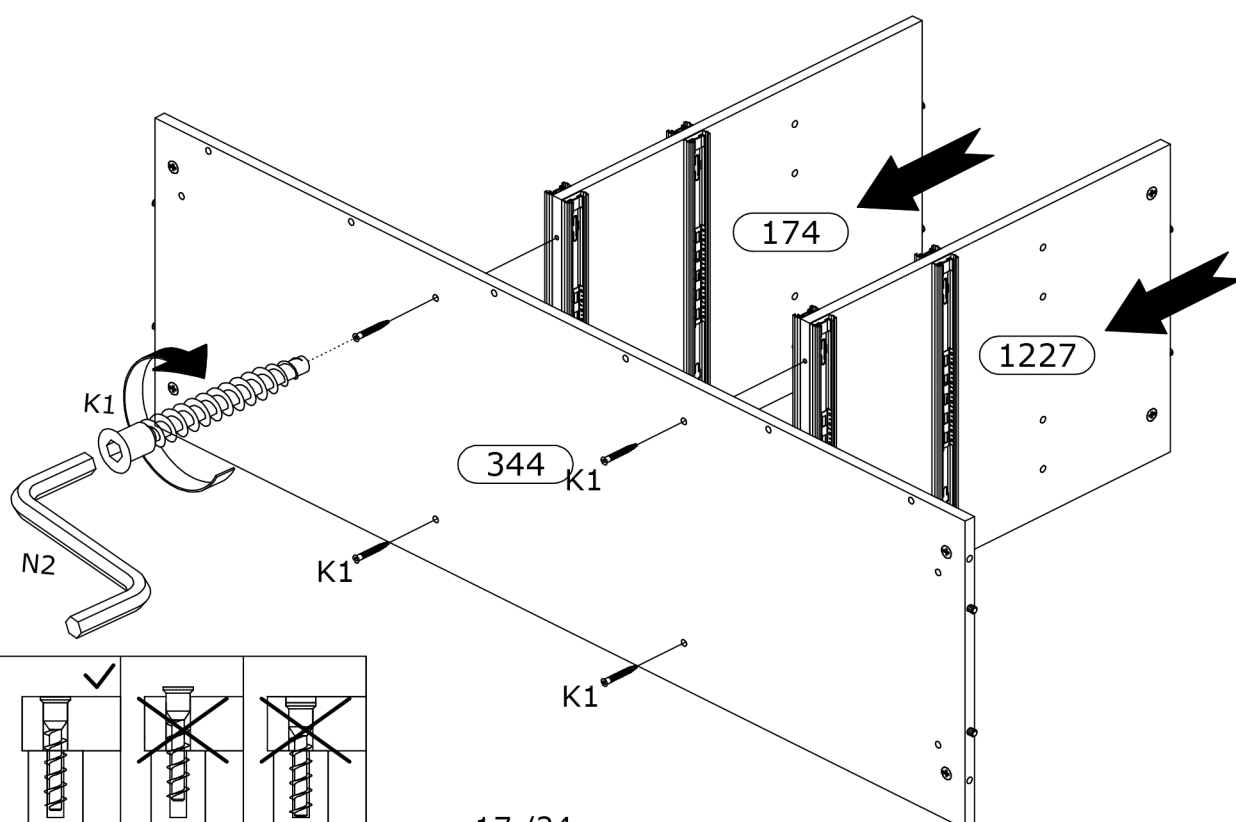
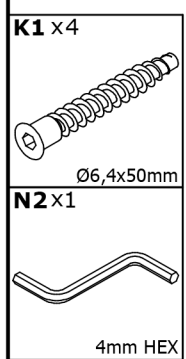
Ø3,5x16mm



# 14

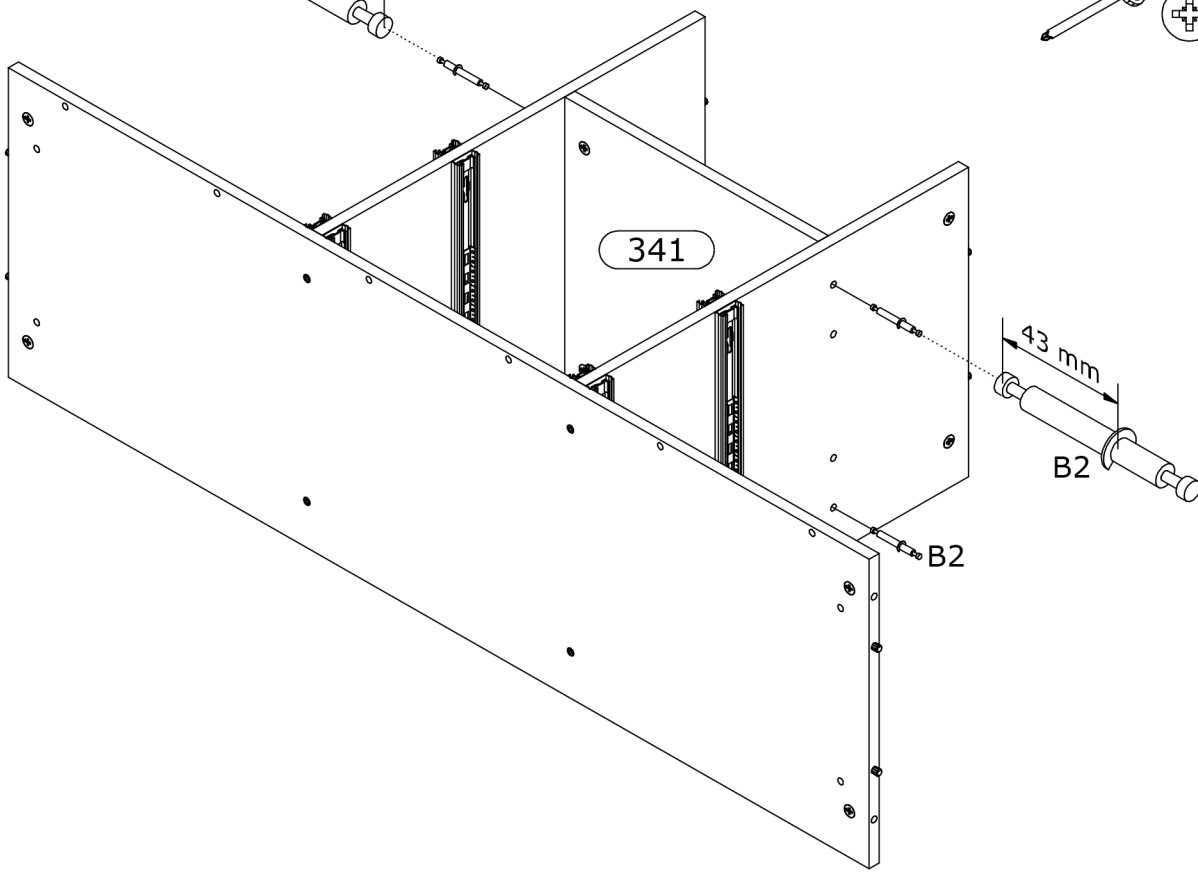
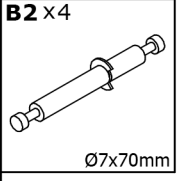
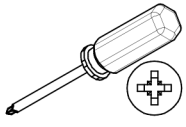


# 15

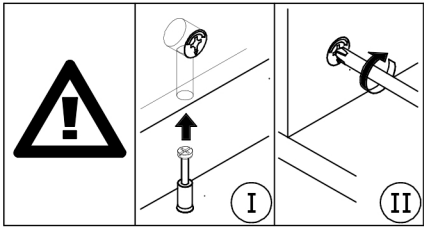
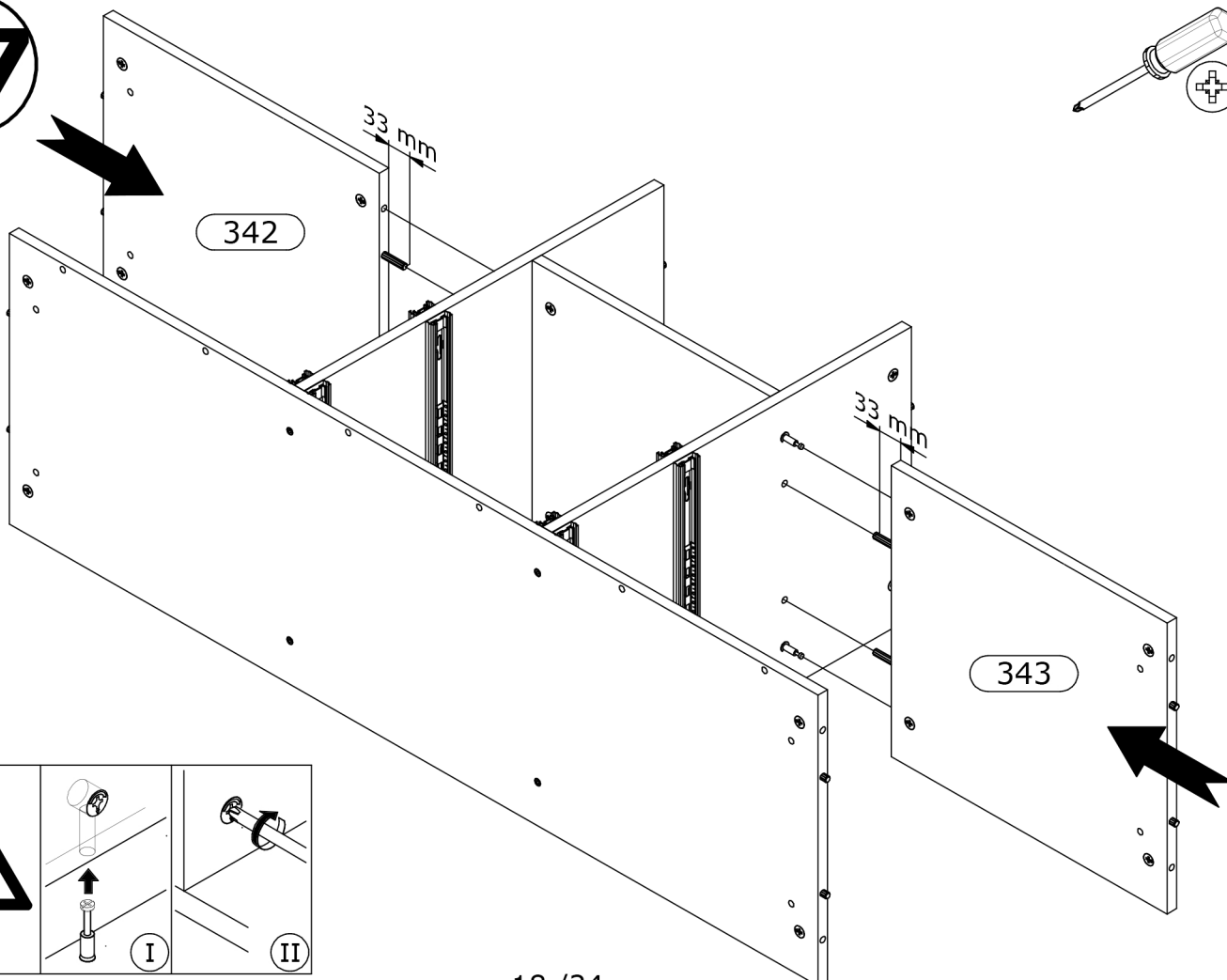
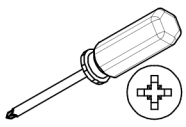


# 16

B2 43 mm

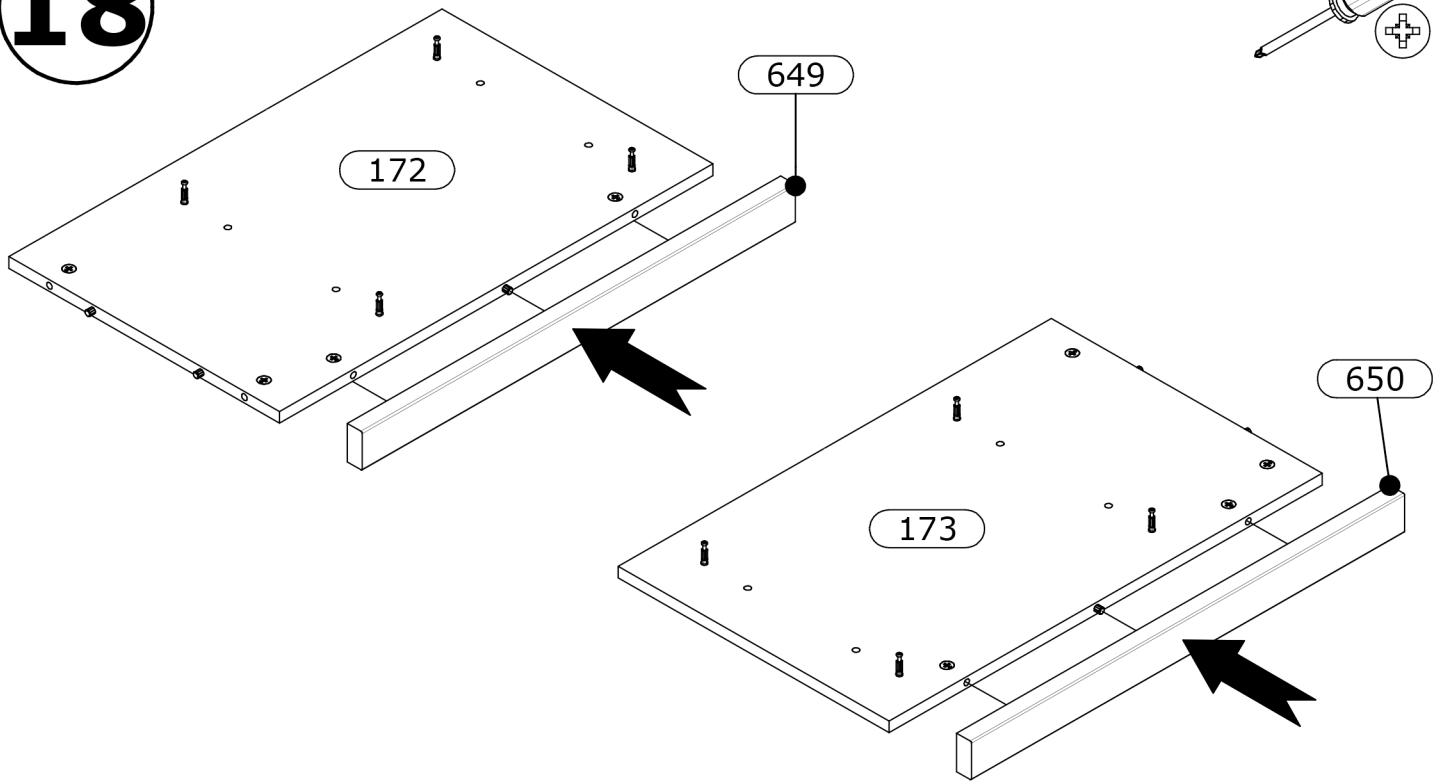


# 17

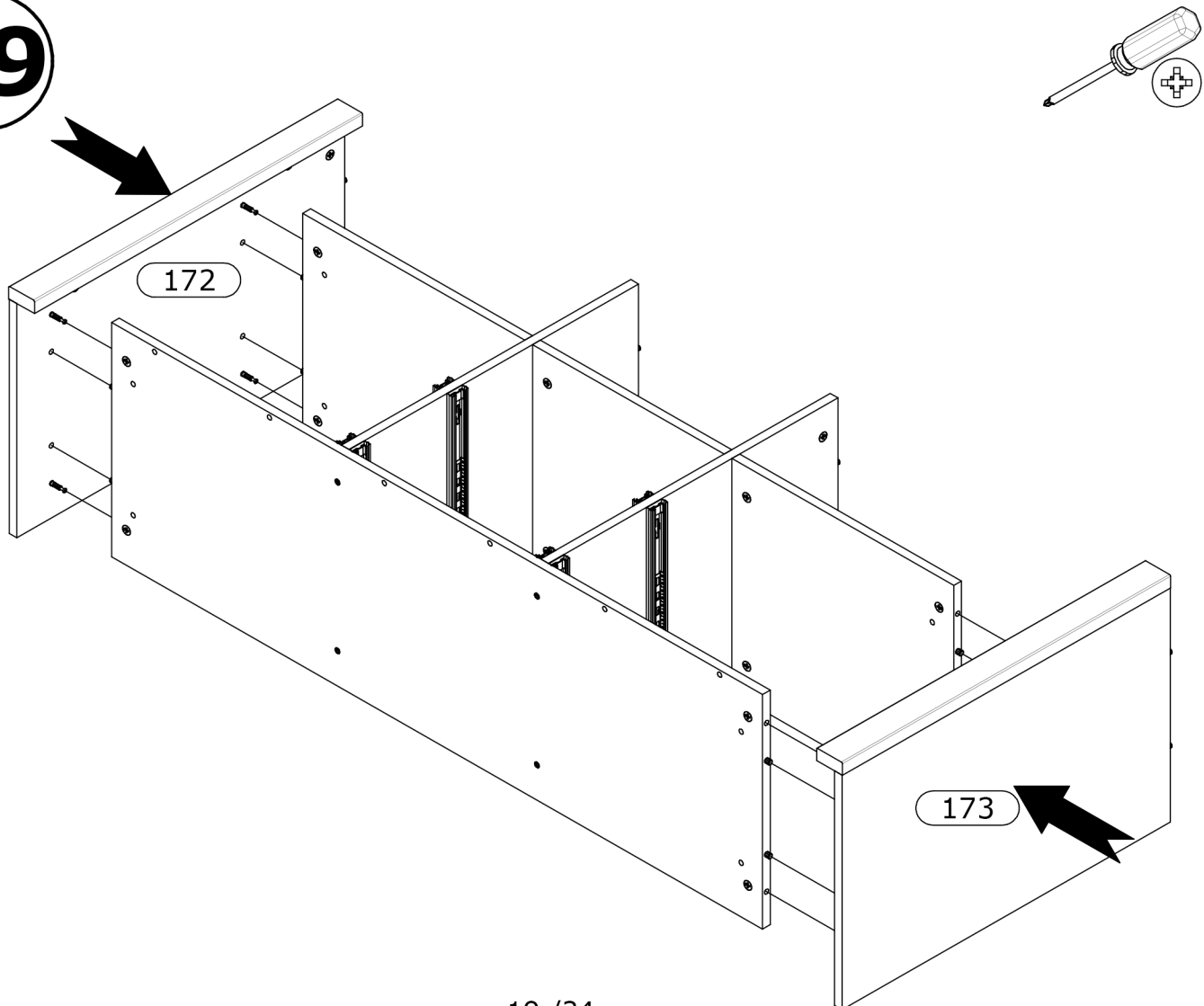




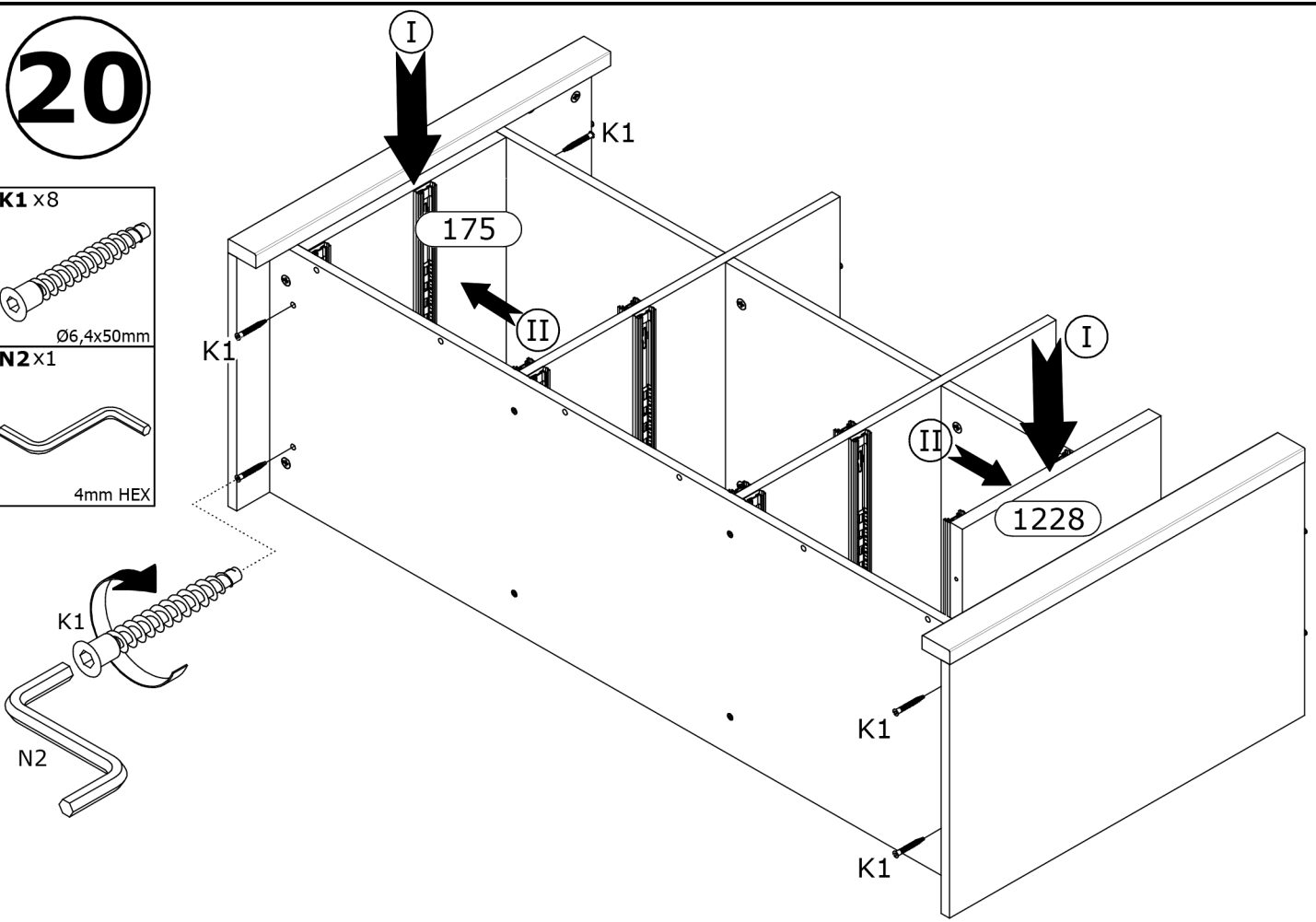
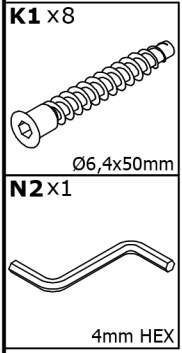
**18**



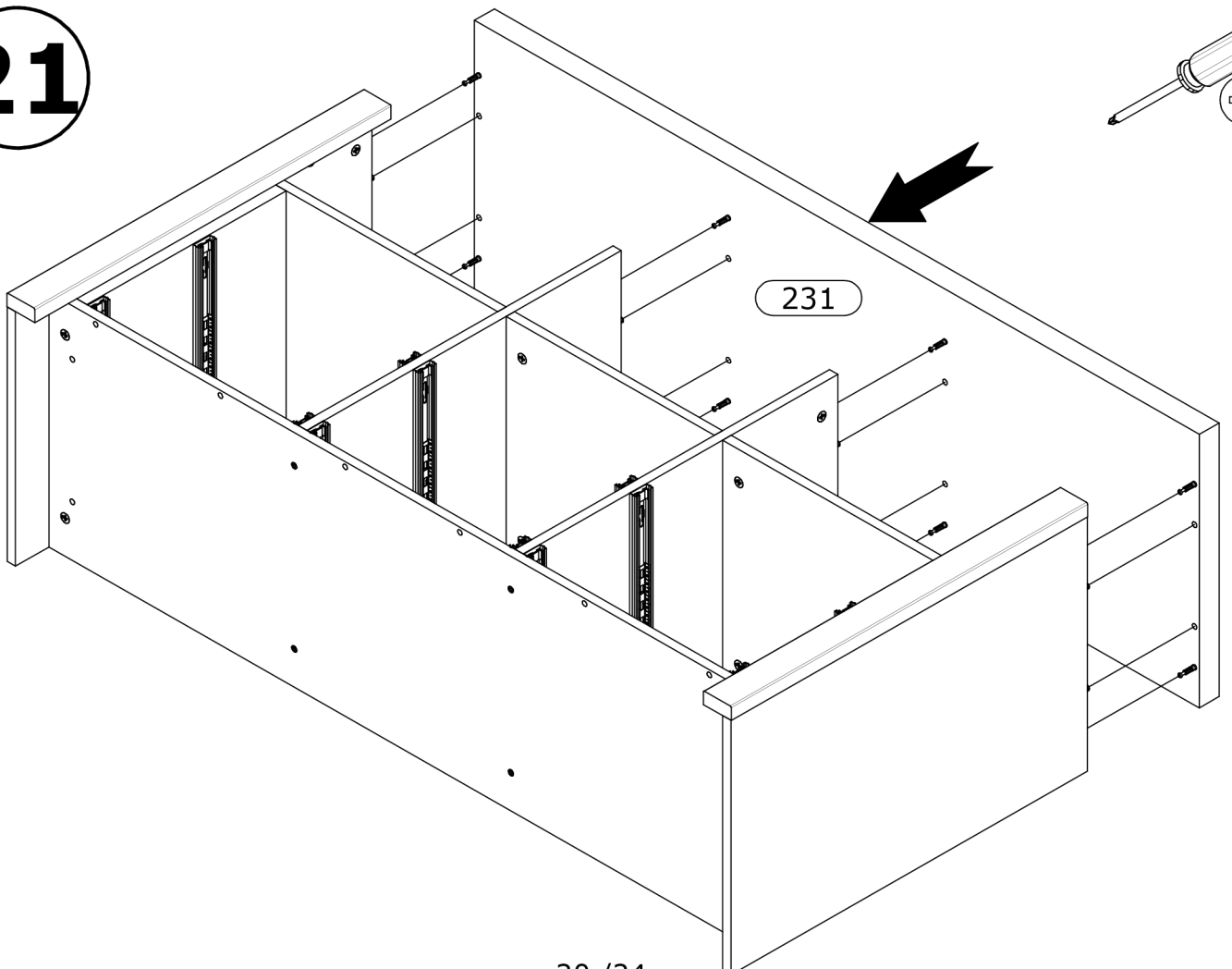
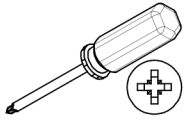
**19**



# 20



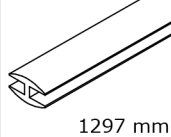
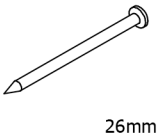
# 21



# 22

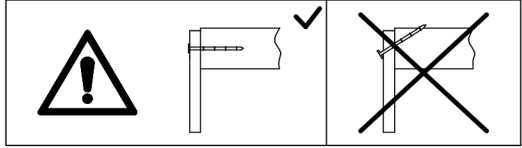
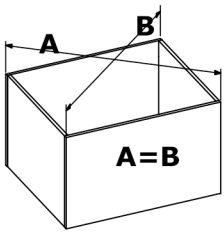
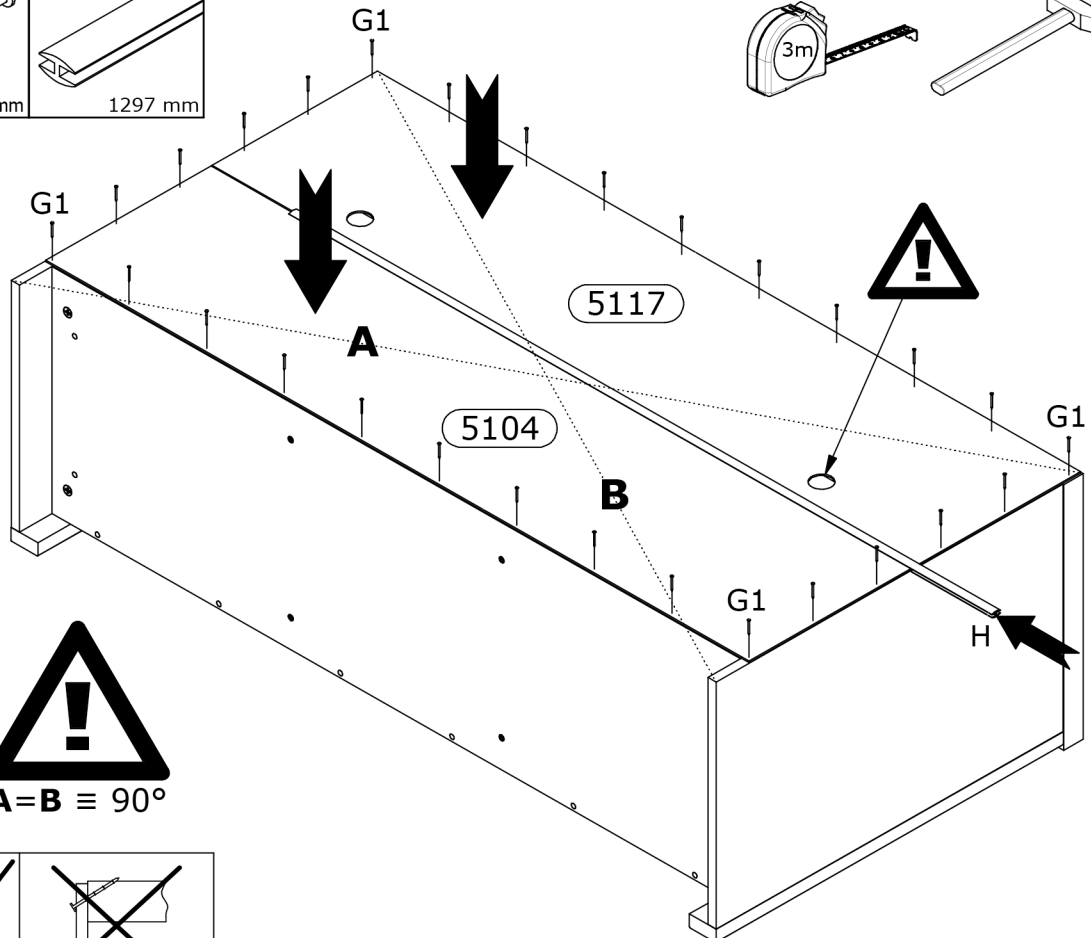
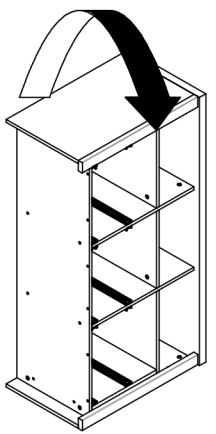
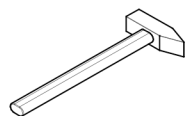
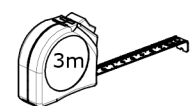
G1x28

Hx1

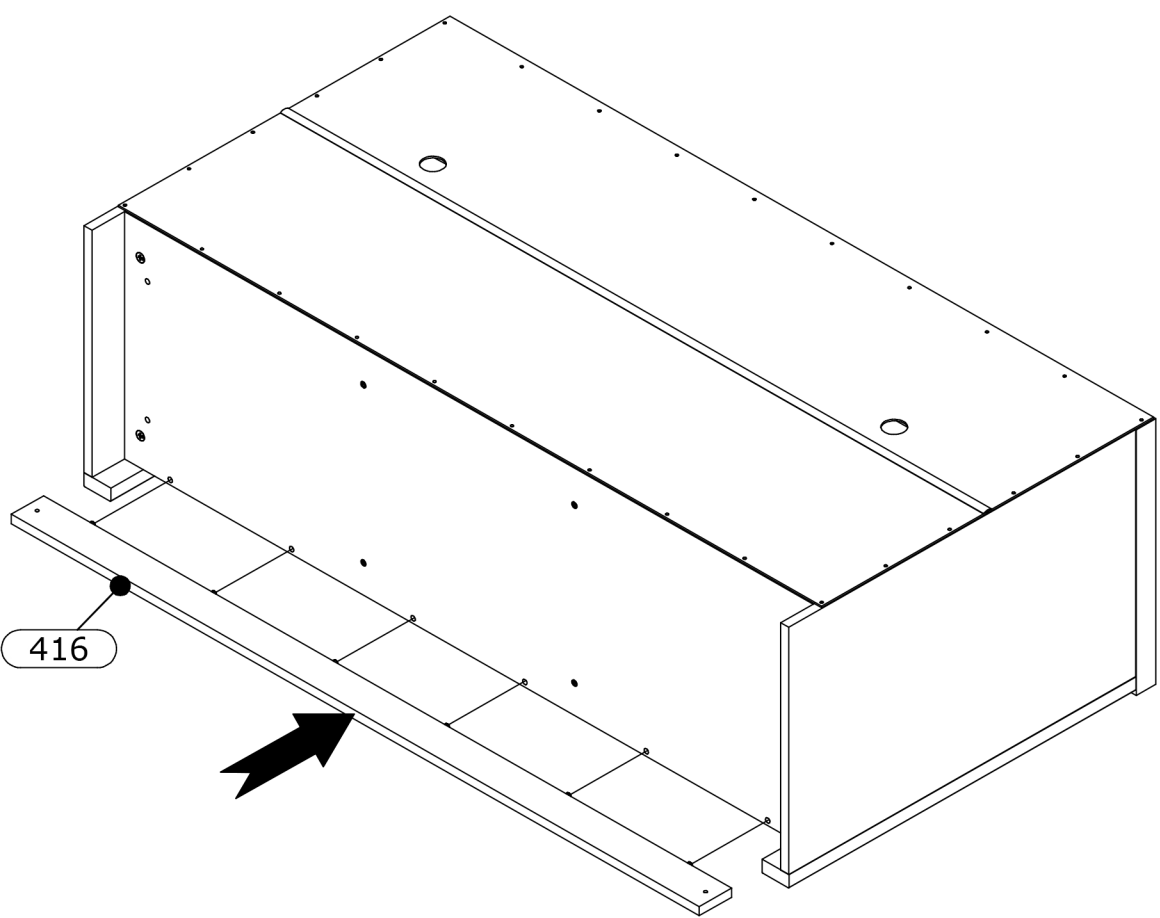


26mm

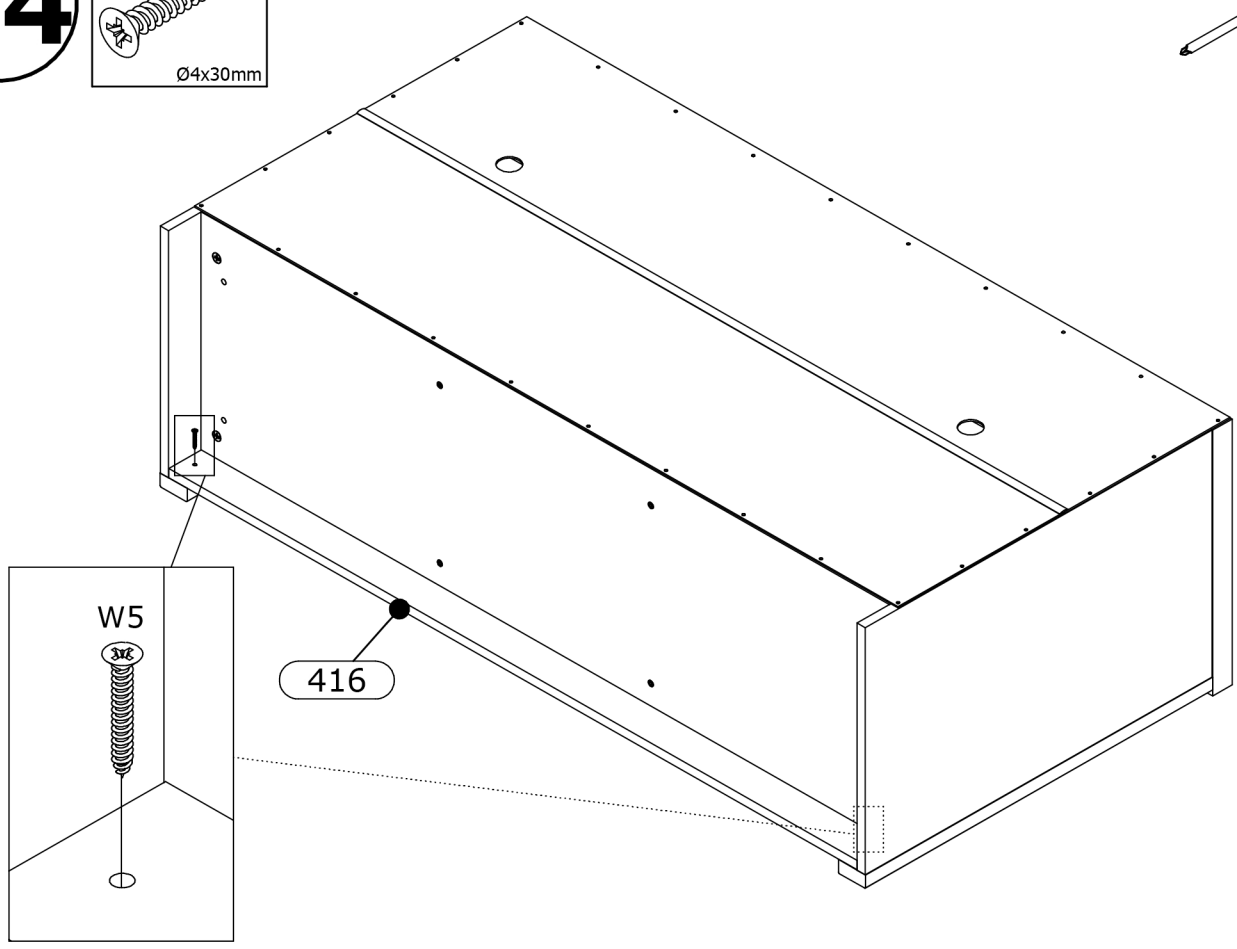
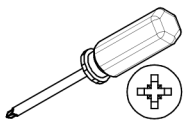
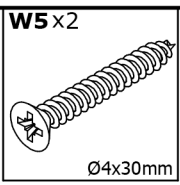
1297 mm



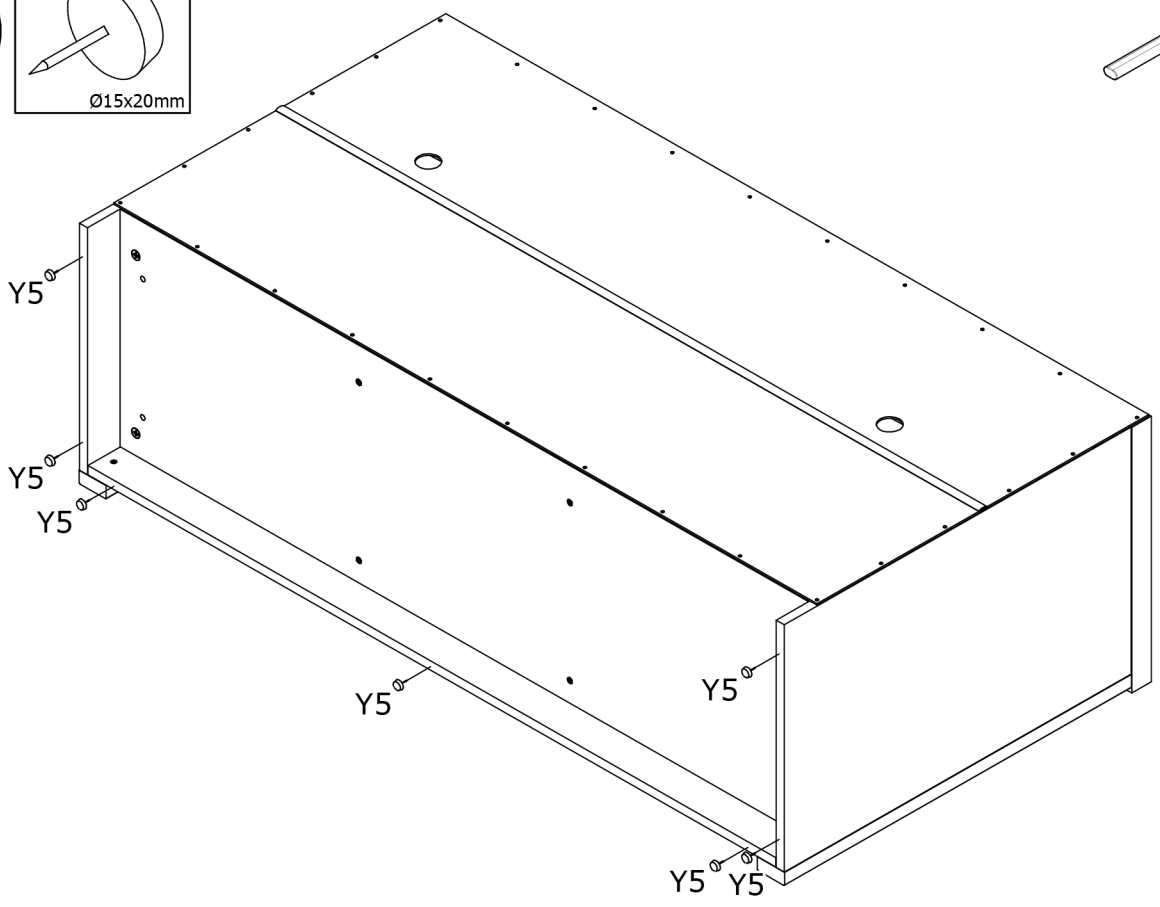
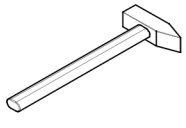
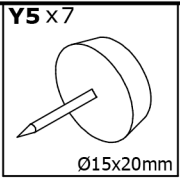
# 23




24

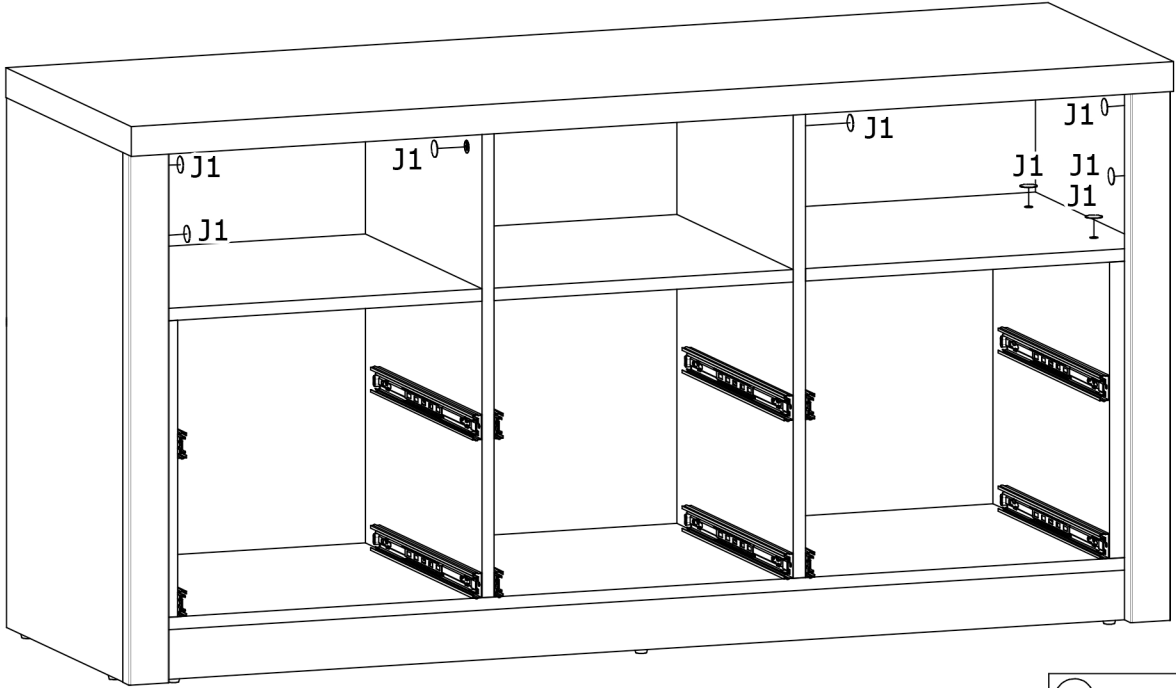


25

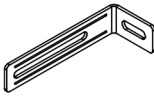


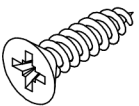
# 26

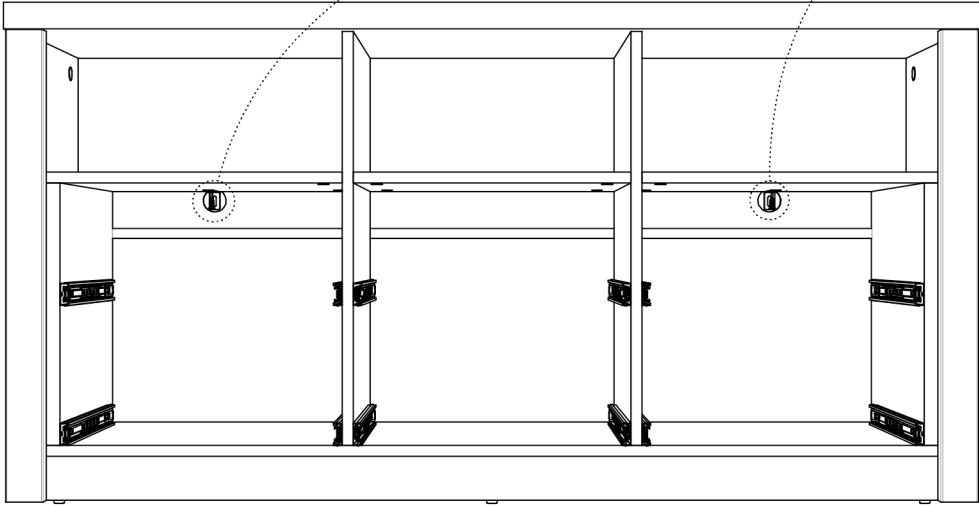
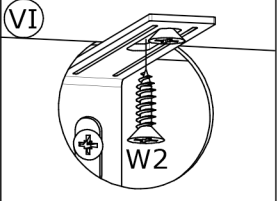
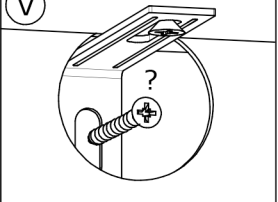
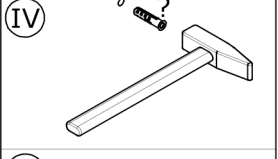
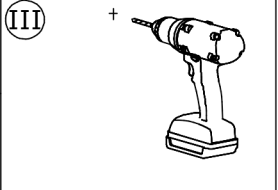
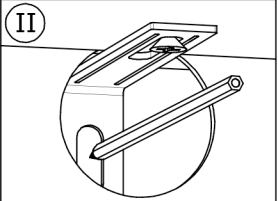
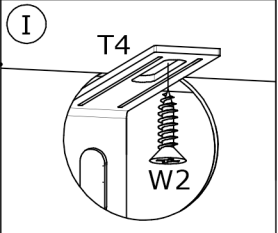
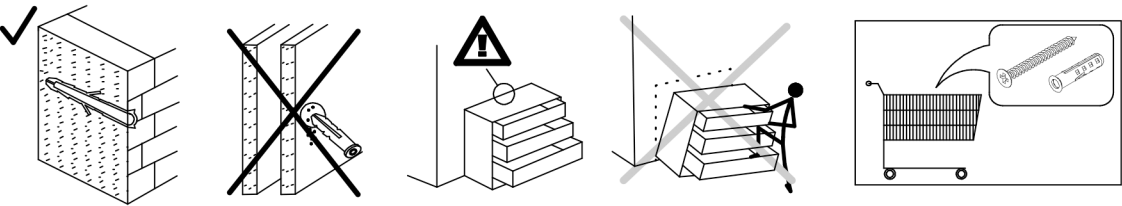
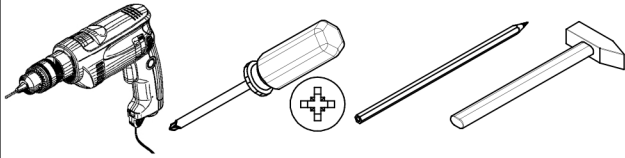
**J1 x14**  
  
Ø21mm



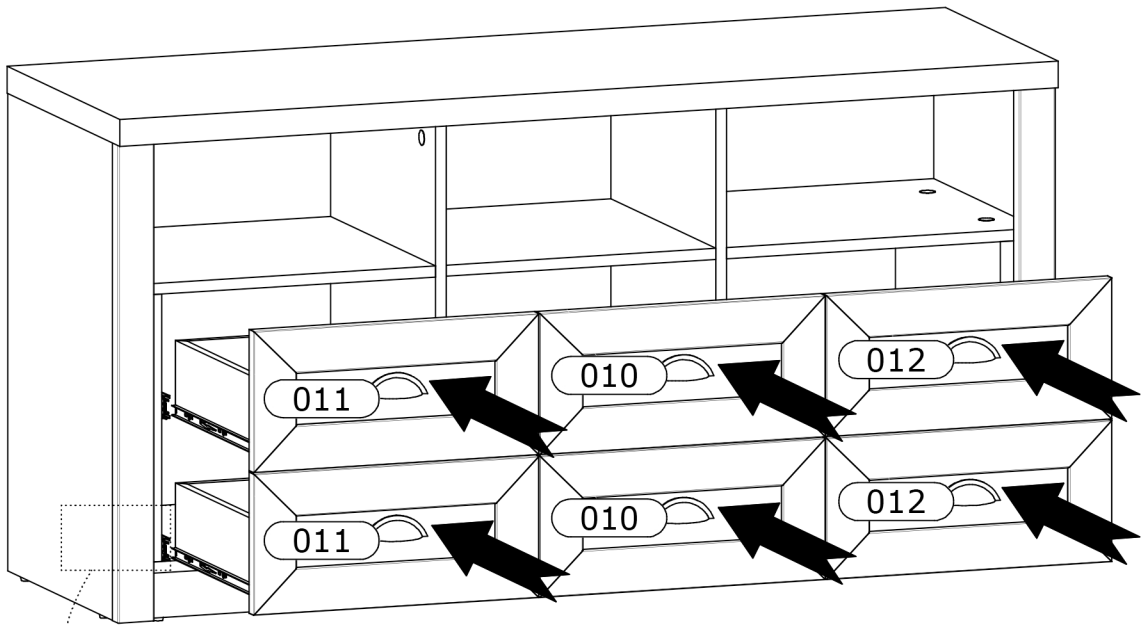
# 27

**T4 x2**  
  
75x28x16 mm

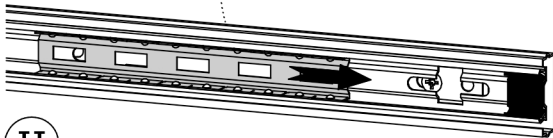
**W2 x4**  
  
Ø3,5x16mm



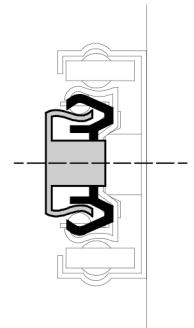
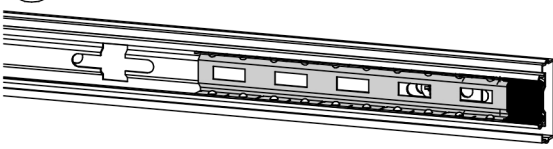
# 28



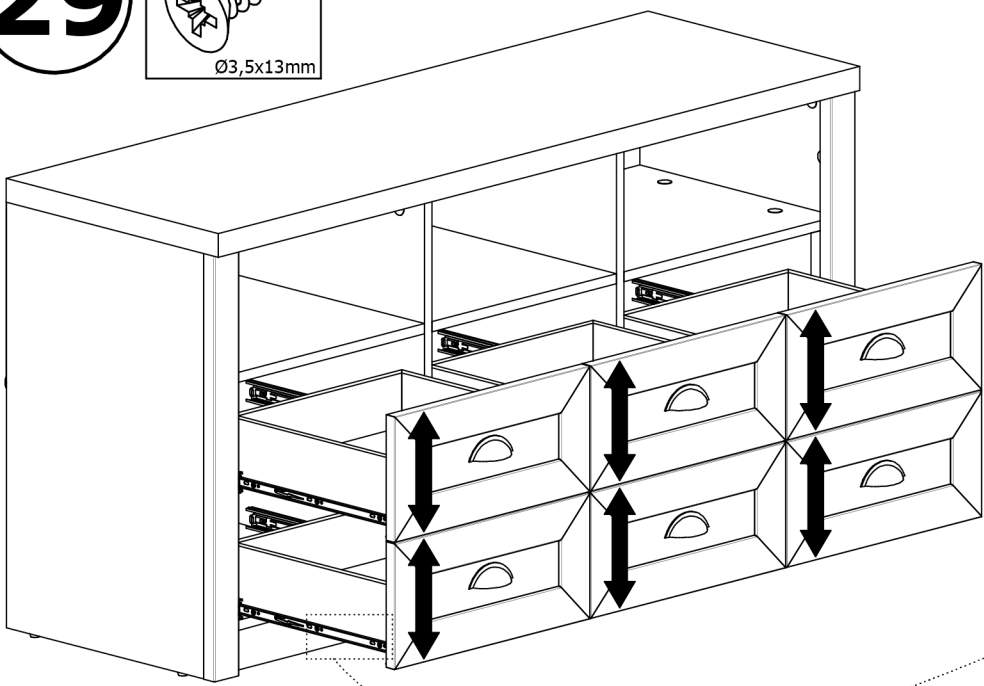
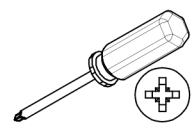
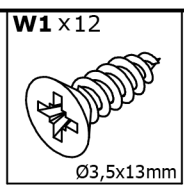
I



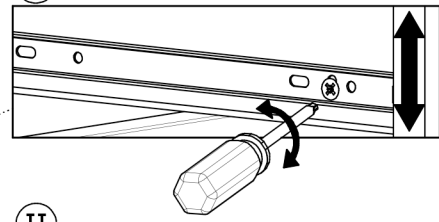
II



# 29



I



II

